

JABIRU AIRCRAFT PTY LTD

P.O. Box 5186
Bundaberg West 4670
Queensland, Australia

Phone: +61 7 4155 1778
Fax: +61 7 4155 2669
Email: info@jabiru.net.au

SERVICE BULLETIN: JSB 006-1
Issue: 1
Date: 21st October 2004
Subject: All Jabiru Aircraft with
1/4" Nose Leg Pivot Bolt

1. Applicability

All Jabiru Aircraft with a 1/4" bolt through the nose leg wheel yoke pivot. (See Figure 1.).

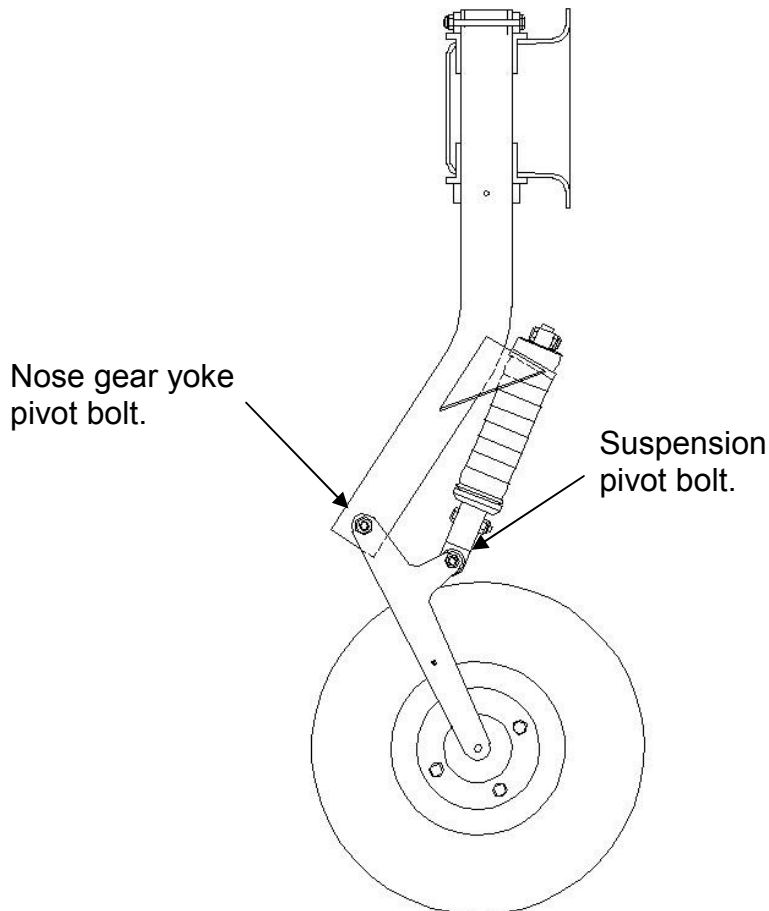


Figure 1. Nose Leg Assembly

Date:	21 th October 2004	Jabiru Aircraft Pty Ltd Document No: JSB006-1	Filename: Page:	NOSEL~EX 2 of 2
Nose Gear Pivot Bolt				

2. Background

Some failures of this 1/4" bolt have been experienced by early model Jabiru Aircraft. Current production Jabiru aircraft are fitted with a 5/16" pivot bolt.

3. Recommendations

Replace 1/4" pivot bolt with 5/16" pivot bolt.

Parts Required:

AN5-32 bolt
AN310-5 castle nut.
AN380-2-2 Cotter pin.
6046094 nylon bush (optional)

4. Procedure

- i. Raise the nose wheel off the ground by resting the aircraft's ventral fin on the ground and placing ballast on the tail plane to hold it there. (Rags should be used to avoid scratching the paint).
- ii. Remove nose wheel spat (if fitted).
- iii. Remove nose wheel from yoke.
- iv. Remove the nose gear yoke pivot bolt.
- v. Remove the suspension pivot bolt from yoke (ref Figure 1.)
- vi. Remove the yoke from the aircraft.
- vii. In the case of the big foot nose yoke, separate the 2 halves of the yoke.
- viii. Use a Drill press to drill the pivot bolt hole out to 5/16". Deburr the hole after drilling.
- ix. Remove the nylon pivot bush from the nose leg.
- x. Drill the inner diameter of the nylon pivot bush out to 5/16". A lathe should be used as nylon is difficult to drill straight in a drill press. Alternatively a new nylon push (Part No. 6046094) can be purchased from Jabiru Aircraft.
- xi. Purchase an aircraft grade (AN5) 5/16" bolt of the correct length either from Jabiru Aircraft or an aircraft parts supplier.
- xii. Reassemble the nose gear in reverse order of disassembly.